

IMPORTANT INFORMATION CONCERNING THE PF1-600 DRIP PAN UPGRADE

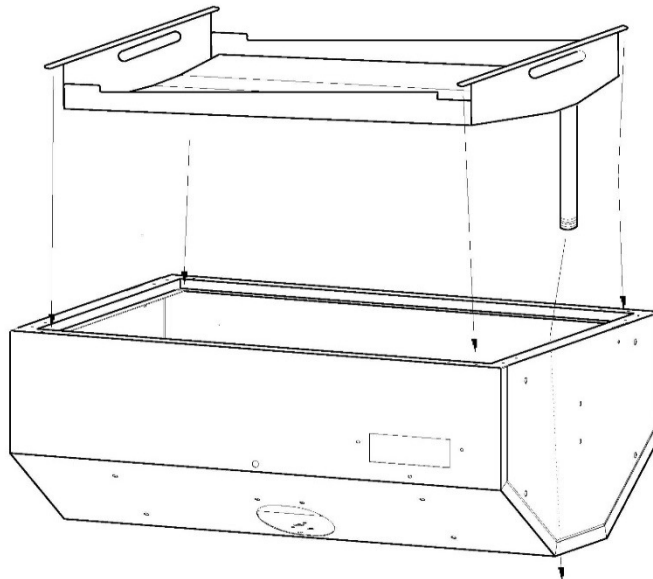
Your grill contains an upgraded Drip Pan. This new Stainless Steel drip pan is designed to give longer and more reliable service. Please disregard any manual information on installation.

Your new drip pan no longer requires the drip pan support brackets Holland previously used. **Should those brackets be installed, there are instructions on the reverse of this page showing how to easily remove them.**

Installing the new drip pan is as simple as the old, just attach the drain pipe, drop the drip pan in, making sure the flanges in the ends as well as the 4 tab extensions seat on the same ledge as the cooking grid does.

Make sure the drip pan pipe protrudes through the hole in the grill bottom so you can attach your valve and the drip pan is seated on both sides.

ALWAYS CHECK THAT ALL FOUR TABS AND THE END FLANGES ARE COMPLETELY SEATED IN THE LEDGE SO YOUR COOKING GRATE WILL SIT SECURED.



As with other Holland Grill drip pans, remember it is very important to clean the drip pan regularly to keep your grill performing as new. Keeping the pipe clean and removing any build up of grease will keep your cooking clean and prevent the risk of a grease buildup in the pan that poses a risk of fire and improper performance.

MOVING OLD STYLE DRIP PAN SUPPORTS

THE NEW STAINLESS DRIP PAN REQUIRES A MINOR ALTERATION TO YOUR GRILL TO WORK CORRECTLY
THIS MUST BE DONE ACCORDING TO THE INSTRUCTIONS BELOW FOR YOUR GRILL TO WORK PROPERLY

- STEP 1: REMOVE COOKING GRID AND DRIP PAN FIRST.
YOU WILL NEED TO TAKE OFF THE BOTTOM VALVE TO TAKE OUT THE DRIP PAN
- STEP 2: THERE ARE TWO SCREWS HOLDING EACH DRIP PAN SUPPORT IN PLACE. REMOVE THE TWO SCREWS ON EACH SIDE OF THE GRILL
- STEP 3: THE DRIP SUPPORTS SHOULD FALL LOOSE. REMOVE AND DISCARD. THEY ARE NO LONGER NEEDED.
- STEP 4: TRANSFER THE PIPE FROM THE OLD DRIP PAN. PLACE THE NEW DRIP PAN IN. THE FOUR TABS AND FLANGES WILL SIT ON SAME LEDGE AS THE COOKING GRID
- STEP 5: INSTALL THE VALVE AND REPLACE THE COOKING GRID. THE GRILL IS READY TO GO.

